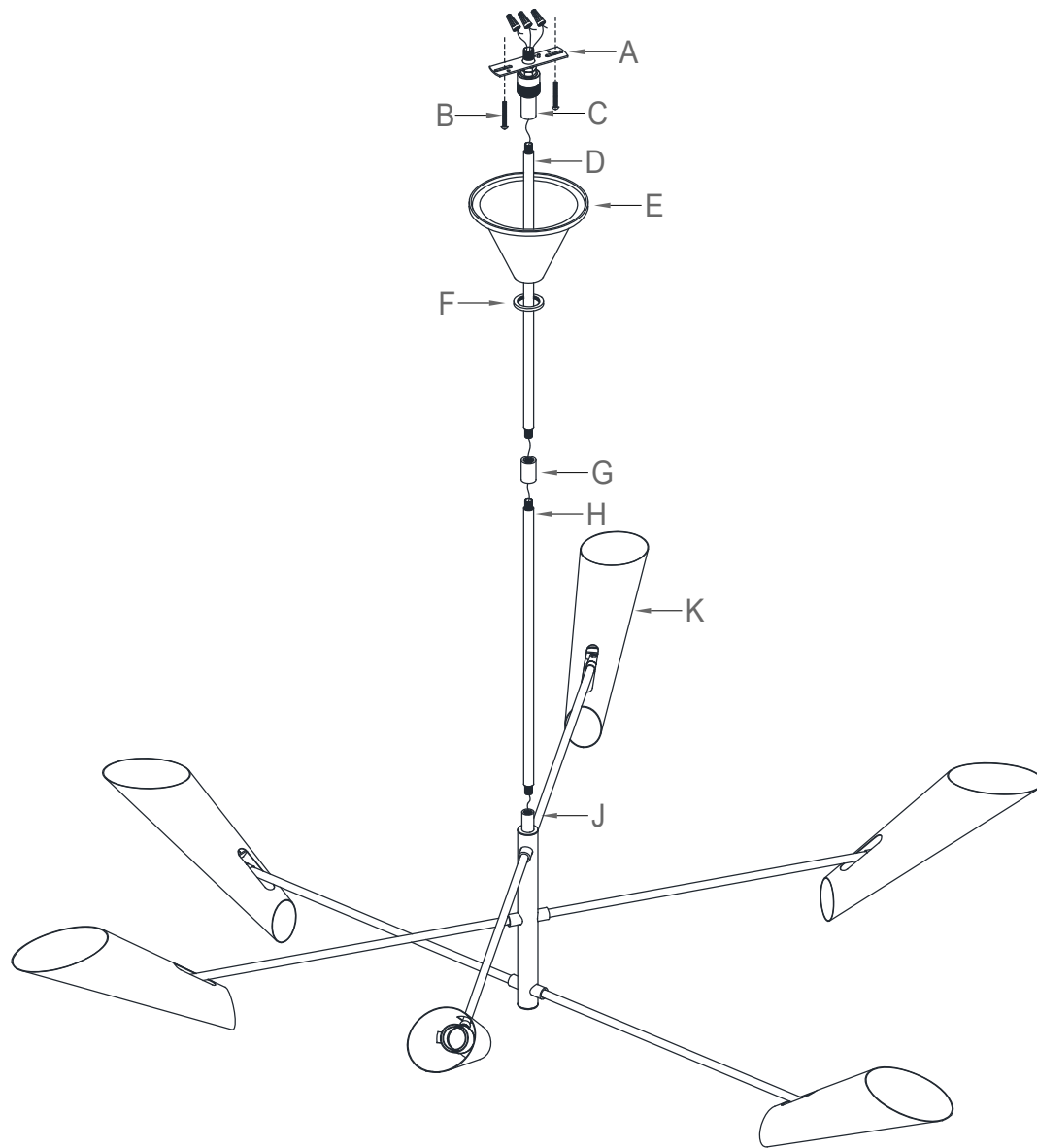


## ASSEMBLY INSTRUCTIONS



## Franca Large Pivoting Chandelier Item # ARN 5411

**WE RECOMMEND INSTALLATION OF THIS LIGHTING FIXTURE BE DONE BY A LICENSED ELECTRICIAN.**

**WARNING \*\*\* SWITCH OFF THE MAIN ELECTRICAL SUPPLY FROM THE MAIN FUSE BOX/CIRCUIT BREAKER BEFORE INSTALLATION.**

**INSPECT ITEM CAREFULLY BEFORE ATTEMPTING TO INSTALL. IF THERE IS ANY DAMAGE OR OBVIOUS DEFECT, DO NOT INSTALL.**

**ITEM MAY NOT BE RETURNED ONCE IT HAS BEEN INSTALLED.**

1. Carefully remove all parts from the carton.
2. Assemble the hang straight (C) to mounting strap (A).
3. Feed wire through all components including pole (H), coupler (G), pole (D), canopy Ring (F), canopy (E), hang straight (C) and mounting strap (A).
4. Screw the bottom threaded nipple of lamp pole (H) into the top opening of light fixture (J).
5. Screw coupler (G) onto the top threaded nipple of pole (H).
6. Screw the bottom nipple of pole (D) into top opening of coupler (G).
7. Carefully slide the canopy ring (F) and canopy (E) onto pole (D).
8. Attach hang straight (C) to the top threaded nipple of lamp pole (D).
9. Attach the entire fixture with mounting strap (A) to ceiling outlet box and secure with mounting screws (B).
10. Attach the bare copper ground from the fixture to the ground junction box wire (usually green or copper), fasten together with a plastic wire connector. Tighten wrap the wire connector with electrical tape. Be sure no wire strands are exposed. IT IS IMPERATIVE THAT THE OUTLET BOX IN YOUR HOME BE PROPERLY GROUNDED.
11. Connect neutral wire from fixture (ridged, molded wire) to the neutral wire from the junction box (usually white). Fasten both wires together with a plastic wire connector and tightly wrap the wire connector with electrical tape. Be sure no wire strands are exposed.
12. Connect the hot wires from the fixture (smooth wire) to the hot wire (usually black) from the junction box. Fasten each together with a plastic wire connector and wrap the connection with electrical tape. DO NOT REVERSE THE HOT AND NEUTRAL CONNECTIONS OTHERWISE SAFETY WILL BE COMPROMISED.
13. Tuck the wire connections neatly into the ceiling outlet box.
14. Slip canopy (E) to ceiling and secure with canopy ring (F).
15. Insert light bulbs (not included) into sockets.
16. Adjust the shades (K) to the desired angles.

\*\*\* Clean with a dry, soft cloth only. Use no harsh abrasives or chemical agents.