

ASSEMBLY INSTRUCTIONS

Liaison Short Pendant

Item # KW 5116

NOTICE:

This light fixture should be installed in accordance with all applicable, local installation codes, and by a person familiar with the construction and operation of it, as well as the hazards involved. Inspect item and contents carefully. If any damage or defect is found, do not install. Retain all packaging material until installation is complete and approved.

TOOLS REQUIRED (NOT INCLUDED):

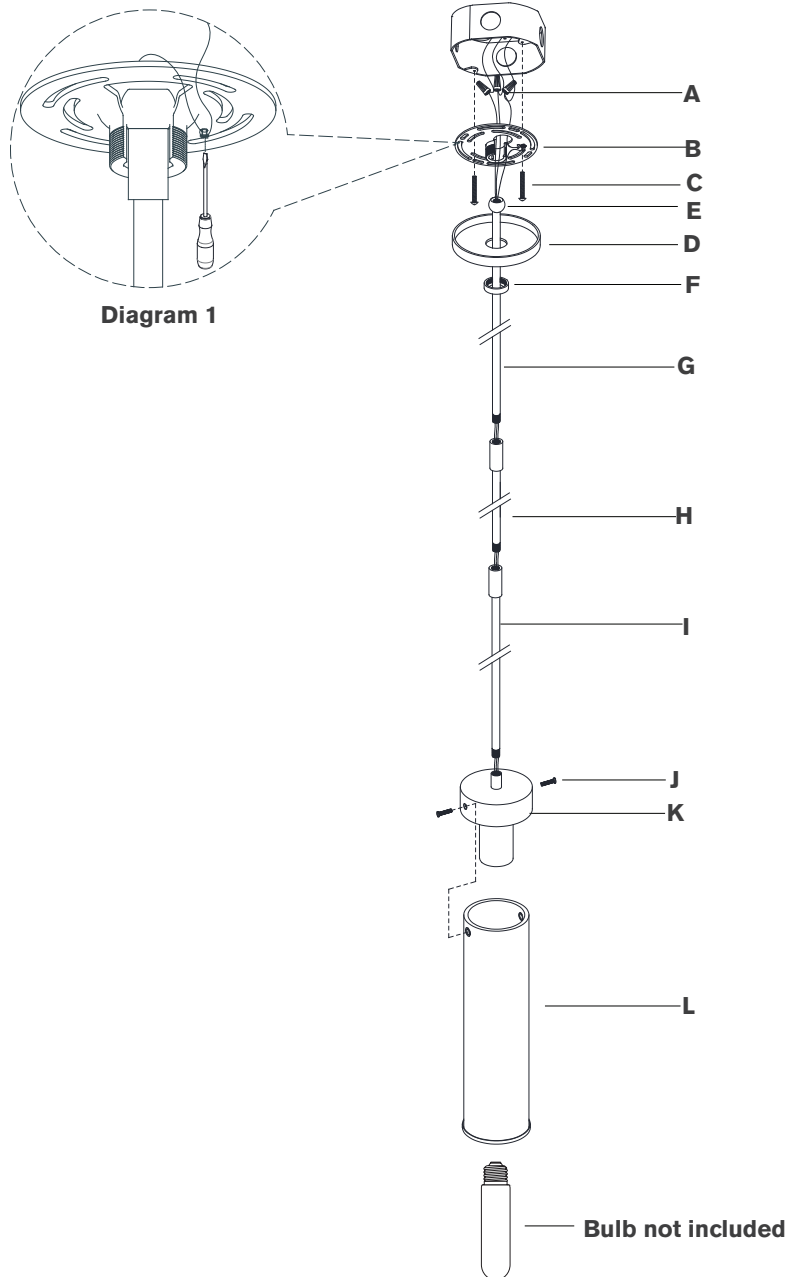
Phillips Screwdriver

Slotted Screwdriver

Wire Cutters

Wire Strippers

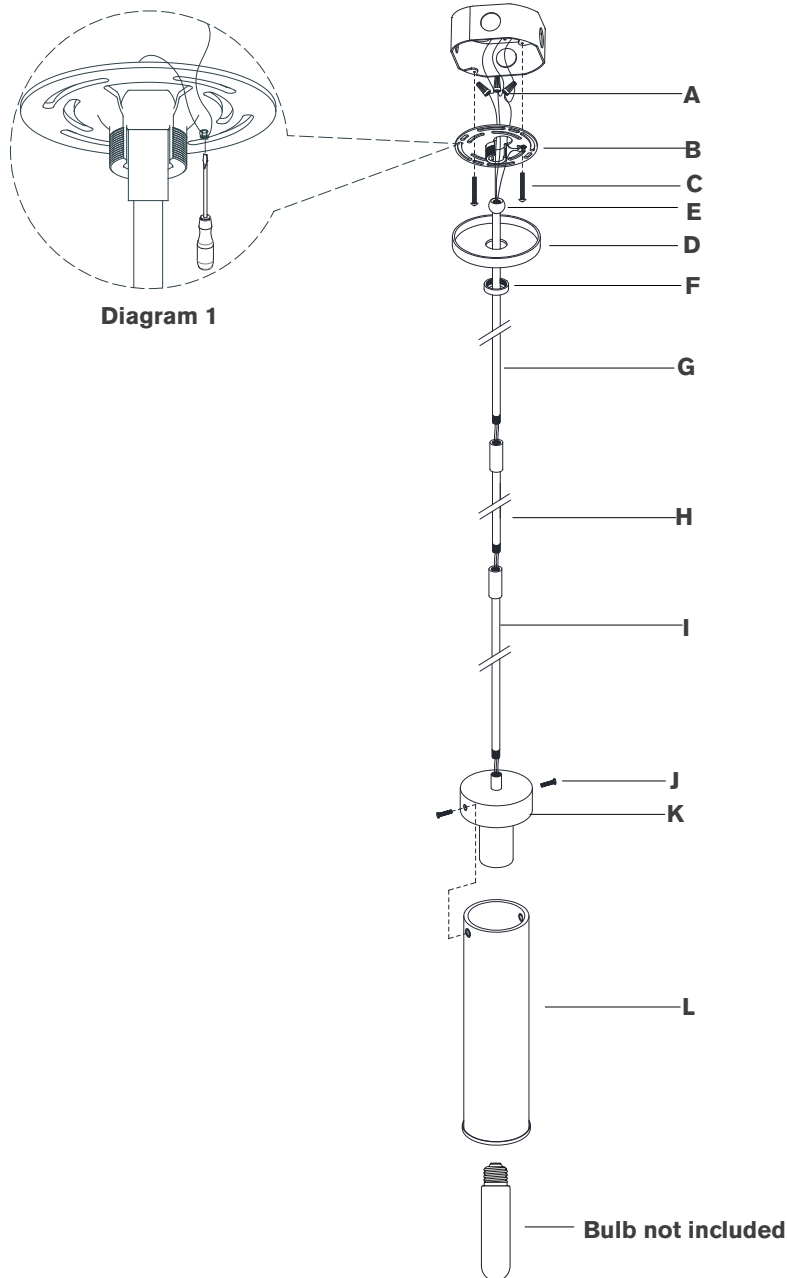
1. Carefully remove all parts from the box. Place on a clean, soft surface.
 2. Remove mounting plate **(B)** from canopy **(D)** by removing collar ring **(F)**.
 3. Install mounting plate **(B)** to junction box and secure with mounting screws **(C)**.
 4. Feed fixture wires through rods **(I)** & **(H)** and connect to fixture body **(K)**.
 5. Continue feeding fixture wires through collar ring **(F)**, canopy **(D)** and top rod **(G)**.
 6. Holding fixture upright, slide collar ring **(F)** and canopy **(D)** down rods and rest on fixture body **(K)**. Then connect top rod **(G)** to middle rod **(H)**.
- NOTE:** Slide components down slowly to avoid damages.
7. Hang fixture swivel ball **(E)** to the center of mounting plate **(B)**.
 8. Cut excess wires, being sure to leave enough to reach the junction box.
- NOTE:** Separate black and red wires, and strip insulation on each 5/8".



VISUAL COMFORT



ASSEMBLY INSTRUCTIONS



Liaison Short Pendant

Item # KW 5116

NOTICE:

This light fixture should be installed in accordance with all applicable, local installation codes, and by a person familiar with the construction and operation of it, as well as the hazards involved. Inspect item and contents carefully. If any damage or defect is found, do not install. Retain all packaging material until installation is complete and approved.

9. Wrap fixture ground wire (bare copper) around the green grounding screw (see diagram 1). Tighten. Continue fixture ground wire and connect to supply ground wire (usually green or bare copper) using wire nut **(A)**.

NOTE: It is imperative that the fixture is grounded.

10. Connect fixture neutral wire (white) to the supply neutral wire (usually white) using wire nut **(A)**.
11. Connect fixture hot wire (black) to the supply hot wire (usually black) using wire nut **(A)**.

CAUTION: Do not reverse the hot and neutral connections.

12. Make sure all wire connections are tight, then carefully tuck into the junction box.
13. Install canopy **(D)** to mounting plate **(B)** and secure with collar ring **(F)**.
14. Install light bulb into socket.
15. Loosen screws **(J)**, then install shade **(L)** to fixture body **(K)** and secure with screws **(J)**.

NOTE: Do not overtighten otherwise shade could become damaged.

Care Instructions: Clean only with a soft dry cloth or feather duster. Do not use abrasive or chemical agents.